

**Service Trolleys**  
**Soaking Sink Trolley - 110 liter, 760 mm**

ITEM # \_\_\_\_\_

MODEL # \_\_\_\_\_

NAME # \_\_\_\_\_

SIS # \_\_\_\_\_

AIA # \_\_\_\_\_



361266 (SSTR07)

110lt Soaking Sink Trolley  
760mm

### Short Form Specification

Item No. \_\_\_\_\_

Constructed in 304 AISI stainless steel. Framework in mm25 tubing, completely welded. Drain valve with twist handle. N. 4 swivelling castors, two with brakes, mm125 in diameter, with pastic bumpers. Basin size mm700x550x350h.

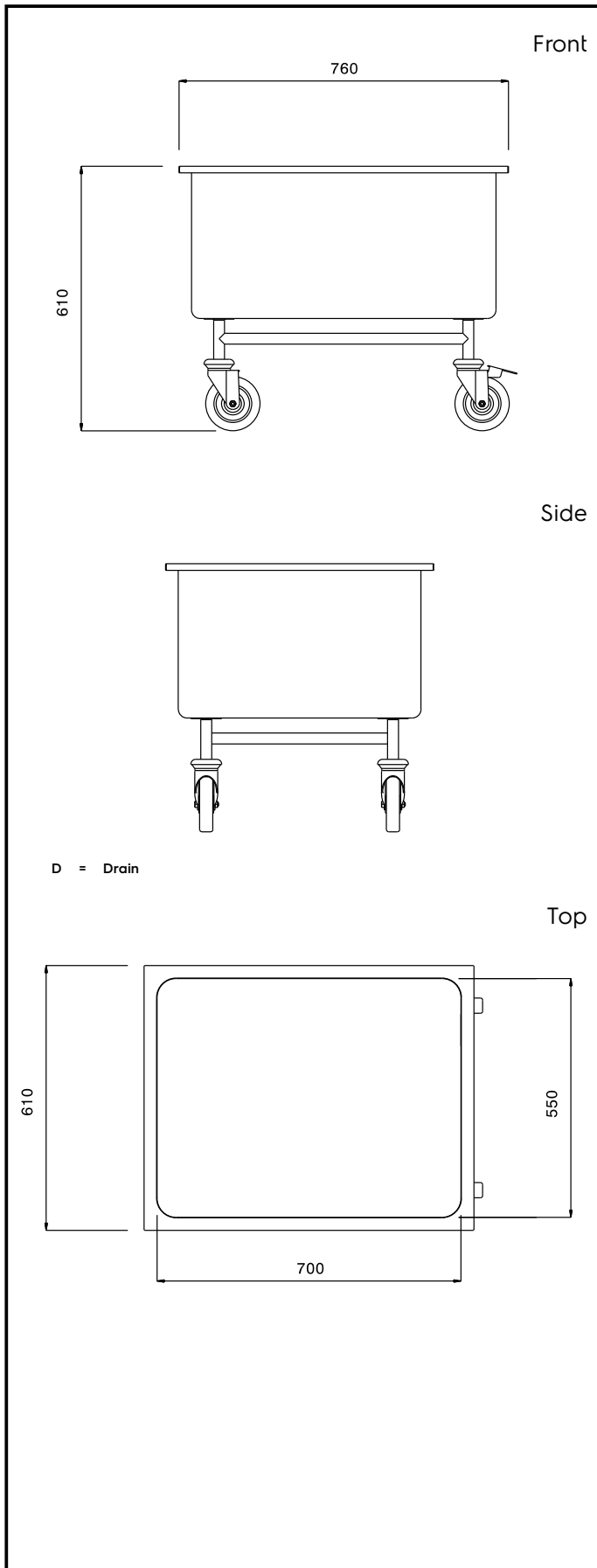
### Main Features

- Framework in 25 mm tubing, completely welded.
- Basin 700x550x350 mm in size.
- Unit to have a drain valve with twist handle.
- 4 pivoting Ø 125 mm wheels, 2 of which with brakes, fitted with plastic bumpers

### Construction

- Constructed entirely in 304 AISI stainless steel.

APPROVAL: \_\_\_\_\_



**Key Information:**

External dimensions, Width:	
361266 (SSTR07)	760 mm
External dimensions, Depth:	610 mm
External dimensions, Height:	610 mm
Wheel material:	Zinc plated
Wheel diameter:	Ø 125
Net weight:	20 kg